

AE

ELITE TRAILERS

EXPERIENCE THE ELITE DIFFERENCE



WRANGLER

BUMPER PULL TRAILER



ALUMINUM

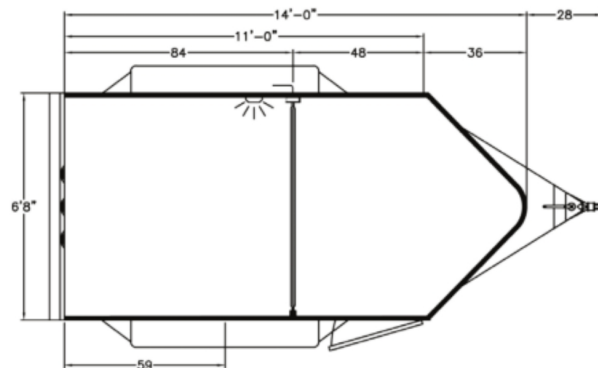
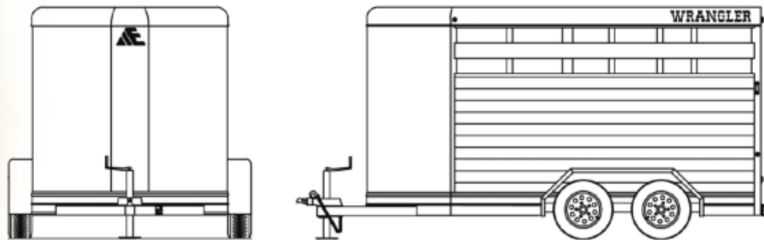
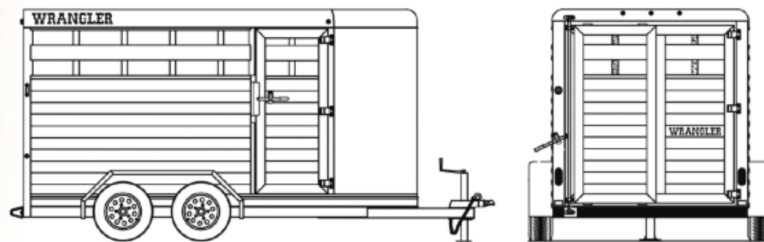
STOCK TRAILER

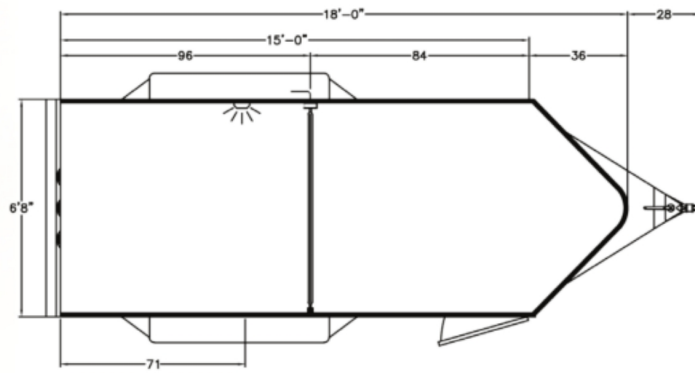
STOCK COMBO • STOCK COMBO PLUS

WRANGLER

STOCK BUMPER PULL TRAILER

Our Wrangler Stock Bumper Pull Trailers are built for customers seeking a quality, lighter duty trailer. Available in two lengths & heights, the Wrangler Stock Trailer gives customers choices that are not only competitive in price and quality, but include the same attention to detail you expect from Elite Trailers.





	W	x	L	x	H
Wrangler Stock	6' 8"	x	11'	x	6' 6"
Wrangler Stock	6' 8"	x	11'	x	7'
Wrangler Stock	6' 8"	x	15'	x	6' 6"
Wrangler Stock	6' 8"	x	15'	x	7'

EXTERIOR FEATURES

- 2-5/16" Coupler with Safety Chains and Breakaway Kit
- Top Wind Jack
- .050 White Aluminum Exterior Smooth Sheet on Wedge Nose
- Extruded Side Slats with Two Air Spaces
- Full Width Rear Gate with 1/2 Slider and Steel Pipe Hardware
- Escape Gate on Curbside
- 7 Way Plug and Wire
- 3/4" Exterior Button Lights (*D.O.T. Approved*)
- (2) 3500# Rubber Torsion Axles with Electric Brakes
- (4) 15" 205/75R15 "D" Rated Radial Tires with Modular Wheels and Caps
- Spare Tire Carrier

Brush Fenders

Rubber Dock Bumper

STOCK AREA

Double Walled Nose (Up 48")

Marine Grade Aluminum Tread Plate Floor

Center Gate and Slam Latch
(Option to Remove Gate)

LED Dome Light in Stock Area

POPULAR OPTIONS

Plexiglass

15" Aluminum Grey Inset Wheels

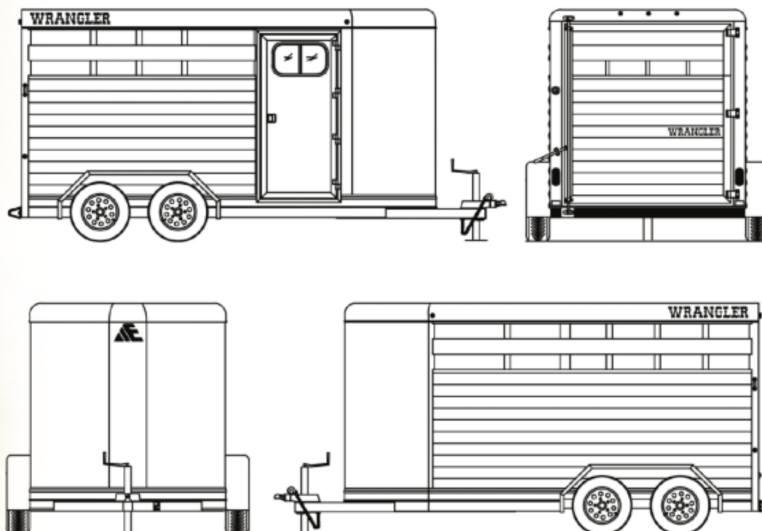
Spare Tire

Black Exterior Aluminum Smooth Sheet

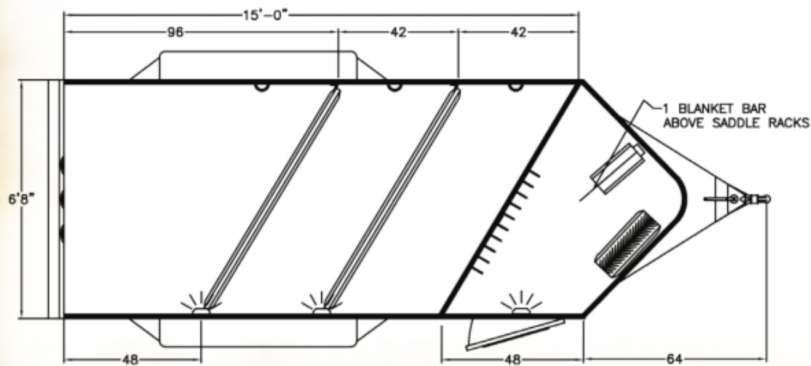
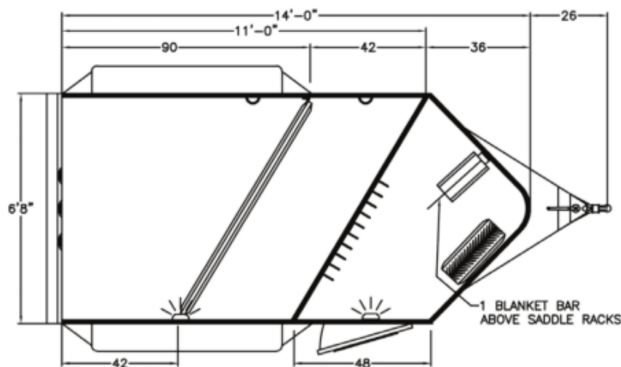
WRANGLER

STOCK COMBO BUMPER PULL TRAILER

Available in a 2 & 3 horse model, our Wrangler Stock Combo Bumper Pull Trailers are built for customers seeking a quality, lighter duty trailer. The Wrangler Stock Combo Trailer gives customers choices that are not only competitive in price and quality, but include the same attention to detail you expect from Elite Trailers.



	W	x	L	x	H
2 Horse	6' 8"	x	11'	x	7'
3 Horse	6' 8"	x	15'	x	7'



EXTERIOR FEATURES

2-5/16" Coupler with Safety Chains and Breakaway Kit

Top Wind Jack

.050 White Aluminum Exterior Skin on Wedge Nose and Camper Door

Extruded Side Slats with Two Air Spaces

(2) 3500# Rubber Torsion Axles with Electric Brakes

(5) 15" 205/75R15 "D" Rated Radial Tires with Modular Wheels and (4) Caps

Brush Fenders

Dressing Room Door

with HEHR Window and Camper Latch

Full Width Rear Gate with Holdback
and Steel Pipe Hardware (*No 1/2 Slider*)

7 Way Plug and Wire

3/4" Exterior Button Lights (*D.O.T. Approved*)

One Exterior Tie per Stall

Rubber Dock Bumper

STOCK AREA

Horse Divider (*No Padding*) with Slam Latch

LED Dome Light in Stock

Marine Grade .125" Smooth Aluminum Floor

Premium Rubber Floor Mats on Floor in Stock

One Interior Tie per Stall

TACK ROOM

One Saddle Rack per Stall

Blanket Bar

10 Bridle Hooks

Spare Wheel Carrier in Dress

POPULAR OPTIONS

Plexiglass

15" Aluminum Grey Inset Wheels

Add Rubber, Double Wall and Insulate (CS or SS)

Add Rubber, on Bulkhead Wall on Stock Side

Black Exterior Aluminum Smooth Sheet

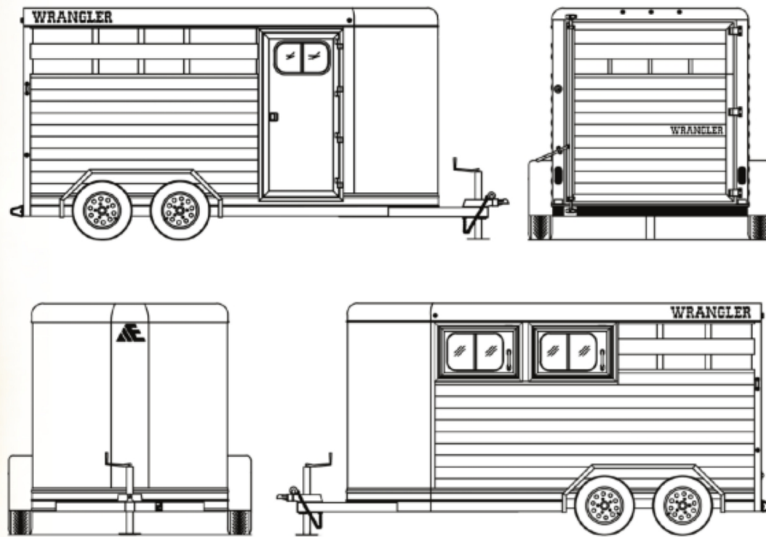
Add Carpet, Tack Room Floor

WRANGLER

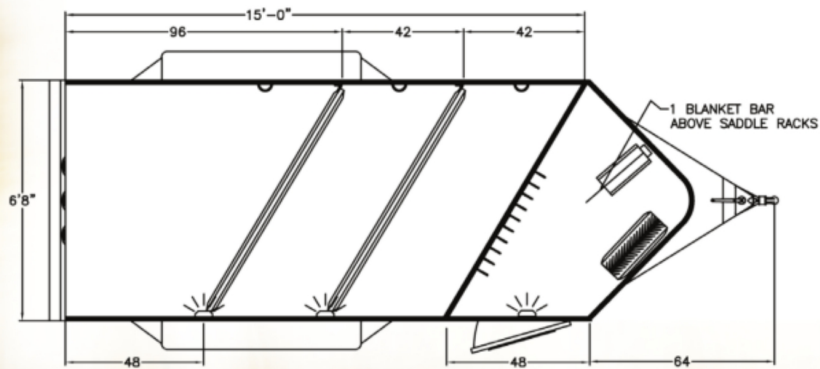
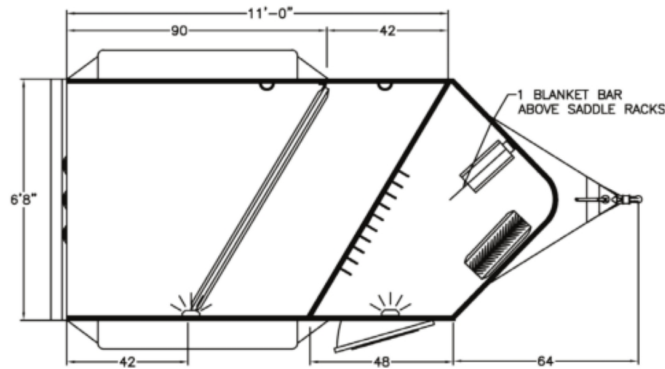
STOCK COMBO PLUS BUMPER PULL TRAILER

Available in a 2 & 3 horse model, our Wrangler Stock Combo Plus Bumper Pull Trailers are built for customers seeking a quality, lighter duty trailer. Featuring drop down feed doors and bars headside, the Wrangler Stock Combo Plus Trailer gives customers choices that are not only competitive in price and quality, but include the same attention to detail you expect from

Include the same attention to detail you expect from Elite Trailers.



	W	x	L	x	H
2 Horse	6' 8"	x	11'	x	7'
3 Horse	6' 8"	x	15'	x	7'



EXTERIOR FEATURES

2-5/16" Coupler with Safety Chains

2 3/16 Coupler with Safety Chains
and Breakaway Kit

Top Wind Jack

.050 White Aluminum Exterior Skin
on Wedge Nose and Camper Door

Drop Down Feed Door with HEHR Windows
on Head Side with Latch Placed at Bottom

Extruded Side Slats with Two Air Spaces on CS

(2) 3500# Rubber Torsion Axles, Electric Brakes

(5) 15" 205/75R15 "D" Rated Radial Tires
with Modular Wheels and (4) Caps

Brush Fenders

Dressing Room Door
with HEHR Window and Camper Latch

Full Width Rear Gate with Holdback
and Steel Pipe Hardware (*No 1/2 Slider*)

7 Way Plug and Wire

3/4" Exterior Button Lights (*D.O.T. Approved*)

One Exterior Tie per Stall

Rubber Dock Bumper

STOCK AREA

Horse Divider(s) with Slam Latch (*No Padding*)

LED Dome Light

Marine Grade .125" Smooth Aluminum Floor

Premium Rubber Floor Mats on Floor in Stock

One Interior Tie per Stall

TACK ROOM

One Saddle Rack per Stall in Dress

Blanket Bars

10 Bridle Hooks

Spare Wheel Carrier in Dress

LED Dome Light

POPULAR OPTIONS

Plexiglass

15" Aluminum Grey Inset Wheels

Add Rubber, Double Wall and Insulate (CS or SS)

Add Rubber, on Bulkhead Wall on Stock Side

Black Exterior Aluminum Smooth Sheet

Add Carpet, Tack Room Floor

In 1995, Elite Trailers was formed with the passion and dedication to producing the highest quality aluminum trailer available to the market. With a fully supported staff of experienced and skilled employees, Elite Trailers has built on this passion, placing the customer and trailer first and foremost.

Elite's state of the art manufacturing facility with almost 250,000 square feet of manufacturing and service under roof was designed & built with one goal: The efficient manufacturing of the world's finest aluminum trailer. Elite has also made substantial investments computerized tooling that is second to none in the industry. Designed to not only improve the fit, finish and structural integrity of our finished trailer, it has provided manufacturing process improvements that allow us to spend more time on the details that are important to you.

We use the best materials & construction practices to construct a superior built trailer. We build each trailer with acute attention to detail and finish it with the luxury that exceeds your standards. We construct our trailers to the highest of industry standards and pride ourselves on the creation of a lasting product. Our dealer network is experienced at helping design the trailer around your needs. Elite supports their dealer network with knowledgeable and experienced sales, parts and warranty, engineering and purchasing departments. Our customers need and expect the best! We're proud to build custom trailers that are as solid as the folks who buy them.

Elite Trailer is designed and engineered to haul your livestock comfortably and safely for distances far and wide. It will work as hard as you, it will be dependable, and it will stand the test of time. Custom trailers with impeccable quality and durability are our product; exceeding the expectations of our customers is our business.

AUTHORIZED ELITE TRAILER DEALER





7700 SW 29TH ST. OKLAHOMA CITY, OK 73179
VIEW MORE ONLINE <http://elitetrailers.com>